

# VF-SILENT-SERIES

SILENT MIXED FLOW IN-LINE FAN



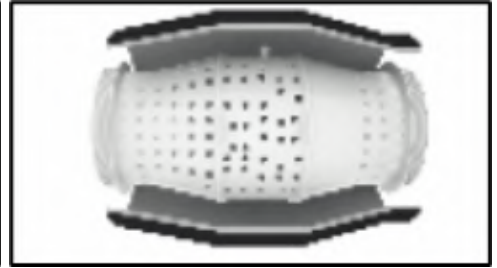
## DETAILS



Low-profile fan body



High performance hydromechanical fan blades



Ultra quiet design with two layer absorbent and sound wave holes



Special design of joint to facilitate installation and dismounting;  
Double diameter connection



Backdraft damper designed inside to prevent insects

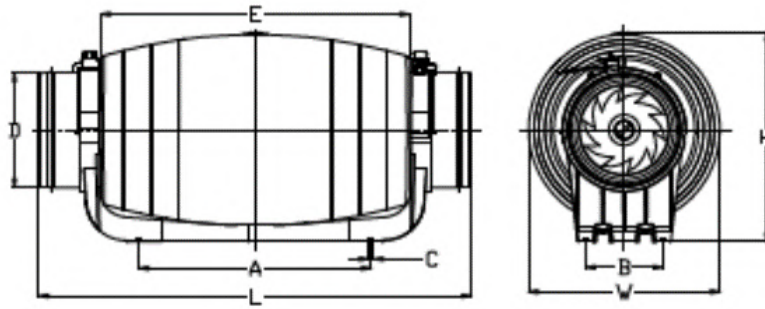


## DESCRIPTION

- ✓ Fan body is made of environmental protection material with beautiful lines and light weight, double insulation.
- ✓ Fan blades is designed according to hydromechanical principle to reach the optimal airflow and air pressure, high efficiency working, low energy consumption and low noise.
- ✓ Fan inside produced with two-layer sound absorbent and sound wave holes, to reduce noise level.
- ✓ Double diameter connection, sealing-up, leak-proof and shockproof.
- ✓ Backdraft damper designed inside, to prevent return air and insects.
- ✓ Special design of joint to facilitate installation and dismounting; Easy installation and maintenance.
- ✓ Outer rotor motor inside, with Japanese brand NMB ball bearing, long working life over 50000 hours.
- ✓ Protect class: IP44.
- ✓ Can be designed with user friendly features such as time delay, temperature range: 20°C ~ 60°C.
- ✓ This series fans offers solution to ventilation problems, especially in places where people work and live and low sound level is required, such as meeting room, office, hotel, public place, residence, hospital, gym and etc.



## DIMENSION (MM)

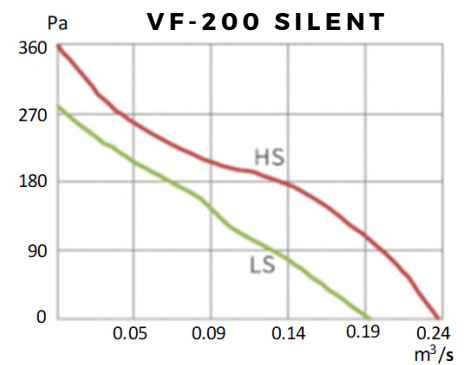
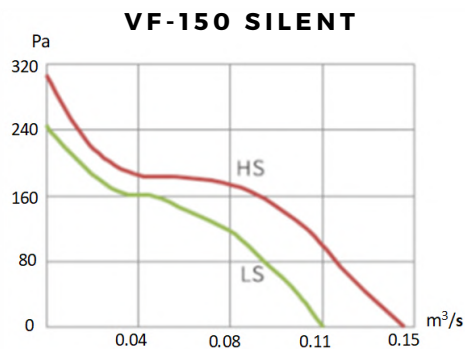
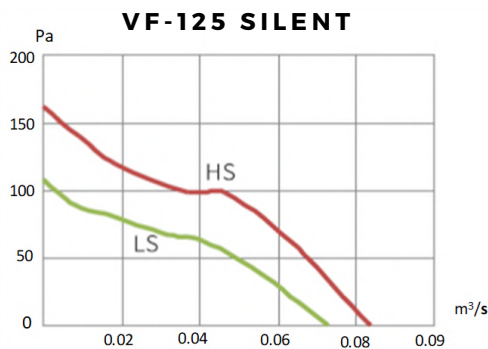


MODEL	A	B	C	ØD	E	L	W	H
VF-125 SILENT	248	82	4.Ø5.5	123	330	462	205	225
VF-150 SILENT	251	95	4.Ø5.3	158	352	488	221	244
VF-200 SILENT	339	128	4.Ø5.6	198	436	567	262	301

## PERFORMANCE

MODEL	SPEED	VOLTAGE	CURRENT (AMPS)	POWER (kW)	SPEED (RPM)	AIRFLOW (m <sup>3</sup> /h)	AIR PRESSURE (Pa)	NOISE (dB)
VF-125 SILENT	H	230/50	0.14	0.033	2250	380	159	35
	L		0.13	0.028	1850	248	106	29
VF-150 SILENT	H	230/50	0.25	0.05	2250	580	300	31
	L		0.2	0.043	1850	410	240	26
VF-200 SILENT	H	230/50	0.6	0.14	2450	840	352	35
	L		0.58	0.135	1850	690	274	29

## PERFORMANCE CURVES



ISO5801 - AMCA210-99

PERFORMANCE DATA IN ACCORDANCE WITH ISO 5801 and AMCA 210-99 STANDARDS

BETTER AIRFLOW *By* DESIGN