

VF-W-SERIES

WALL/CEILING EXHAUST FAN



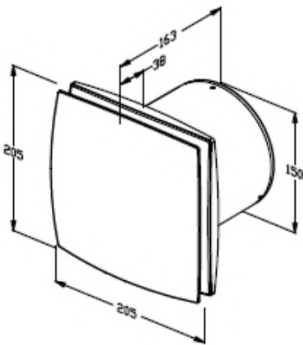
DESCRIPTION

- ✓ Modern design and good looking.
- ✓ Fan frame and blade are made of high-quality durable ABS plastic, UV resistant.
- ✓ Fan blade design makes it high efficiency working and long working life.
- ✓ Fan designed with ultra thin front panel and insect screen.
- ✓ Fan with reliable low-watt motor, continuous operation.
- ✓ Protection class: IP34

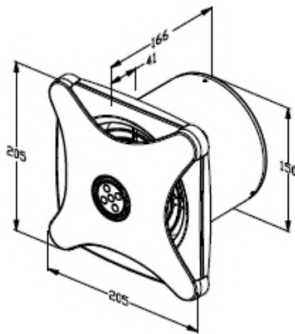
MOUNTING

- ✓ The fans are directly mounted into the ventilation shaft.
- ✓ In case of remote location of ventilation shaft, connect a flexible air duct to the fan with a clamp.
- ✓ Fix the fan to wall by self-tapping screws.
- ✓ Suitable for ceiling mounting.
- ✓ Applications: Continuous or period exhaust ventilation area such as bathroom, showers, kitchens and other spaces.

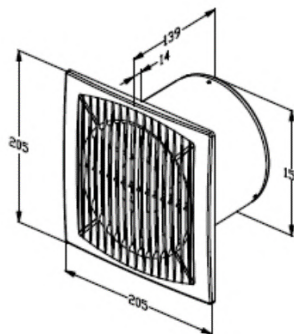
DIMENSIONS (MM)



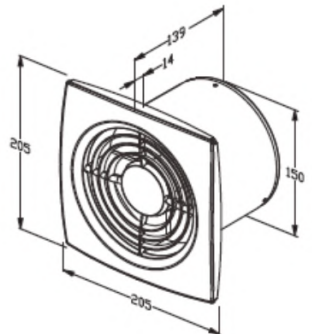
VF-W-150A



VF-W-150B



VF-W-150C



VF-W-150D

PERFORMANCE

MODEL	VOLTAGE	CURRENT (AMPS)	POWER (kW)	SPEED (RPM)	AIRFLOW (m3/h)	AIR PRESSURE (Pa)
VF-W-150A	240/50	0.17	0.022	2350	201	55
VF-W-150B	240/50	0.19	0.028	2350	197	52
VF-W-150C	240/50	0.17	0.022	2350	295	51
VF-W-150D	240/50	0.17	0.022	2350	272	56

PERFORMANCE CURVES

