

VF-I-SERIES

IN-LINE BOOSTER FAN

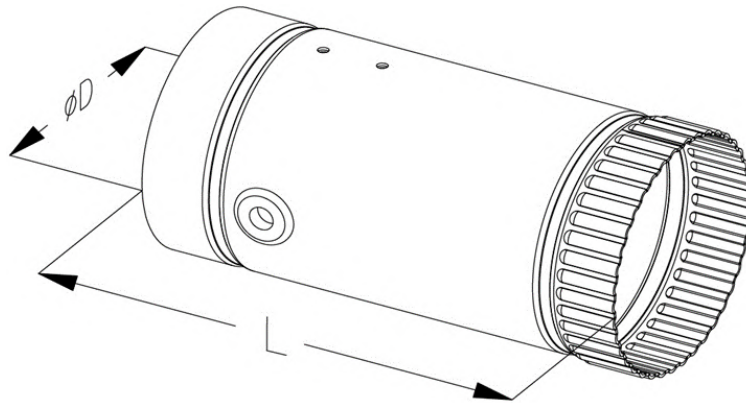


DESCRIPTION

- ✓ Fan body is made of steel construction with powder coated baked paint.
- ✓ Fluted on both ends to be easy mounted inline with the existing duct work to increase air flow.
- ✓ Motor features a permanently lubricated bearing that operates quietly and requires no maintenance.

DIMENSIONS (MM)

MODEL	D	L
VF-I-100	100	185
VF-I-150	150	185
VF-I-200	200	185

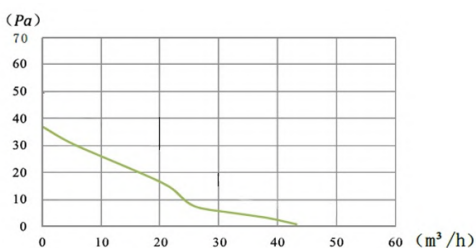


PERFORMANCE

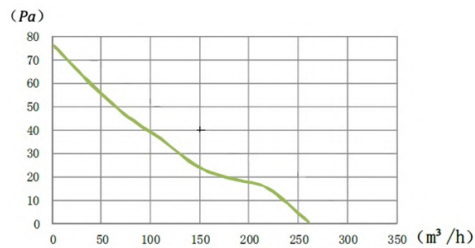
MODEL	SPEED	VOLTAGE	CURRENT (AMPS)	POWER (kW)	SPEED (RPM)	AIRFLOW (m ³ /h)	AIR PRESSURE (Pa)	NOISE (dB)
VF-I-100	SET SPEED	230/50	0,11	0,015	2600	43	36	
VF-I-150	SET SPEED	230/50	0,32	0,034	2450	258	75	
VF-I-200	SET SPEED	230/50	0,31	0,04	2350	501	20	

PERFORMANCE CURVES

VF-I-100



VF-I-150



VF-I-200

